

Dell™ PowerVault™ DL2000

# Getting Started With Your System

Mise en route de votre système

Introdução ao uso do seu sistema

Inicio de su sistema





Dell™ PowerVault™ DL2000

# Getting Started With Your System

Model EMS01



# Notes, Notices, and Cautions



**NOTE:** A NOTE indicates important information that helps you make better use of your system.



**NOTICE:** A NOTICE indicates either potential damage to hardware or loss of data and tells you how to avoid the problem.



**CAUTION:** A CAUTION indicates a potential for property damage, personal injury, or death.

---

**Information in this document is subject to change without notice.**

**© 2008 Dell Inc. All rights reserved.**

Reproduction of these materials in any manner whatsoever without the written permission of Dell Inc. is strictly forbidden.

Trademarks used in this text: *Dell*, the *DELL* logo, and *PowerVault* are trademarks of Dell Inc.; *Intel* and *Xeon* are registered trademarks of Intel Corporation in the U. S. and other countries; *Microsoft*, *Windows*, and *Windows Server* are either trademarks or registered trademarks of Microsoft Corporation in the United States and/or other countries.

Other trademarks and trade names may be used in this document to refer to either the entities claiming the marks and names or their products. Dell Inc. disclaims any proprietary interest in trademarks and trade names other than its own.

Model EMS01

August 2008

P/N P988X

Rev. A00

# Contents

|  |           |
|--|-----------|
| <b>System Features</b> . . . . .                     | <b>5</b>  |
| <b>Supported Operating Systems</b> . . . . .         | <b>7</b>  |
| <b>Other Information You May Need</b> . . . . .      | <b>7</b>  |
| <b>Obtaining Technical Assistance</b> . . . . .      | <b>8</b>  |
| <b>NOM Information (Mexico Only)</b> . . . . .       | <b>8</b>  |
| <b>Installation and Configuration</b> . . . . .      | <b>9</b>  |
| Unpacking the System . . . . .                       | 9         |
| Unpack your system and identify each item. . . . .   | 9         |
| Install the Rails and System in a Rack . . . . .     | 9         |
| Connect the Keyboard, Mouse, and Monitor . . . . .   | 10        |
| Connect the Power . . . . .                          | 10        |
| Install the Power Cord Retention Bracket . . . . .   | 11        |
| Turn on the System . . . . .                         | 11        |
| Install the Bezel . . . . .                          | 12        |
| <b>Complete the Operating System Setup</b> . . . . . | <b>12</b> |
| <b>Technical Specifications</b> . . . . .            | <b>12</b> |



# System Features

The major hardware and software features of your system include:

- Two Dual-Core or Quad-Core Intel® Xeon® 5400 Series and 5200 Series processors.
- Support for symmetric multiprocessing (SMP), which is available on systems with two Intel Xeon processors. SMP greatly improves overall system performance by dividing processor operations between independent processors. To take advantage of this feature, you must use an operating system that supports multiprocessing.



**NOTE:** If you decide to upgrade your system by installing a second processor, you must order the processor upgrade kits from Dell. Not all versions of the Intel Xeon processor will work properly as additional processors. The upgrade kit from Dell contains the correct version of the processor, heat sink, and fan as well as the instructions for performing the upgrade.

- A minimum of 4 GB of 667-MHz, Fully Buffered DIMMs (FBD), upgradable to a maximum of 16 GB by installing combinations of 1-GB or 2-GB memory modules in the eight memory module sockets on the system board.
- The system also features redundant memory, which provides memory sparing or memory mirroring. Either feature is available if eight identical memory modules are installed.
- Support for up to four 3.5-inch internal hot-pluggable SATA hard drives.
- A slim-line SATA DVD, or combination CD-RW/DVD drive.



**NOTE:** DVD devices are data only.

- A chassis intrusion switch that signals the appropriate systems management software if the top cover is opened.
- Baseboard Management Control (BMC) power monitoring monitors current, voltage, and power utilization in the system.
- Up to two hot-pluggable, 750-W power supplies in an optional 1 + 1 redundant configuration.
- Four hot-pluggable system cooling fans.

The system board includes the following features:

- One of the following left riser card options:
  - A left riser card that has one full-length PCIe x8 lane slot and one full-length PCIe x4 lane slot.
- OR
- A left riser card that has two full-length PCI-X 3.3-V, 64-bit, 133-MHz slots on separate PCI-X buses (capable of throttling back to support legacy PCI add-in cards).
- A center riser card that has one half-length PCIe x8 lane slot.
- Dedicated slot for an integrated SAS host bus adapter. The internal channel supports up to four 3.5-inch SATA hard drives.



**NOTE:** System boot is not supported from an external device attached to a SAS or SCSI adapter.

- Two integrated Gigabit Ethernet NICs, capable of supporting 10-Mbps, 100-Mbps, and 1000-Mbps data rates.
- Optional Intel quad-port Gigabit Ethernet NIC, 10-Mbps, 100-Mbps, and 1000-Mbps data rates, and iSCSI remote boot.
- Support for 10-Gb Ethernet cards.
- One internal USB 2.0-compliant connector supporting bootable USB flash drive or USB memory key.
- Four USB 2.0-compliant connectors (two on the front and two on the back) capable of supporting a diskette drive, CD-ROM drive, keyboard, mouse, or USB flash drive.
- Optional remote access controller (RAC) for remote systems management.
- An integrated VGA-compatible video subsystem with an ATI ES1000, 33-MHz PCI video controller. This video subsystem contains 16 MB of DDR SDRAM video memory (nonupgradable). Maximum resolution is 1600 x 1200 with 64 K colors; true-color graphics are supported in the following resolutions: 640 x 480, 800 x 600, 1024 x 768, 1152 x 864, and 1280 x 1024. When the optional RAC is installed, the video resolution is 1280 X 1024.
- Systems management circuitry that monitors operation of the system fans as well as critical system voltages and temperatures. The systems management circuitry works in conjunction with the systems management software.



- Standard baseboard management controller with serial access.
- Back-panel connectors include one serial, one video, two USB, and two NIC connectors.
- Front-panel connectors include a video and two USB connectors.
- Front-panel 1x5 LCD for system ID and error messaging.
- System ID button on the front and back panels.

For more information about specific features, see "Technical Specifications" on page 12.

## Supported Operating Systems

- Microsoft® Windows® Server 2008 Standard x64 Edition.

## Other Information You May Need

 **CAUTION: See the safety and regulatory information that shipped with your system. Warranty information may be included within this document or as a separate document.**

- The *Rack Installation Instructions* included with your rack solution describes how to install your system into a rack.
- The *Hardware Owner's Manual* provides information about system features and describes how to troubleshoot the system and install or replace system components. This document may be found on the CDs that came with your system, or on [support.dell.com](http://support.dell.com).
- CDs included with your system provide documentation and tools for configuring and managing your system.
- Release notes or readme files may be included to provide last-minute updates to the system or documentation or advanced technical reference material intended for experienced users or technicians.

## Obtaining Technical Assistance


If you do not understand a procedure in this guide or if the system does not perform as expected, see your *Hardware Owner's Manual*. Dell™ offers comprehensive hardware training and certification. See [www.dell.com/training](http://www.dell.com/training) for more information. This service may not be offered in all locations.

## NOM Information (Mexico Only)

The following information is provided on the device described in this document in compliance with the requirements of the official Mexican standards (NOM):

|                      |   |
|----------------------|---|
| Importer:            | Dell Inc. de México, S.A. de C.V.<br>Paseo de la Reforma 2620 -11º Piso<br>Col. Lomas Altas<br>11950 México, D.F. |
| Model number:        | EMS01   |
| Supply voltage:      | 100–240 V CA<br>-(48–60) V CC   |
| Frequency:           | 50/60 Hz  |
| Current consumption: | 9,0–4,5 A;<br>20 A (CC)   |

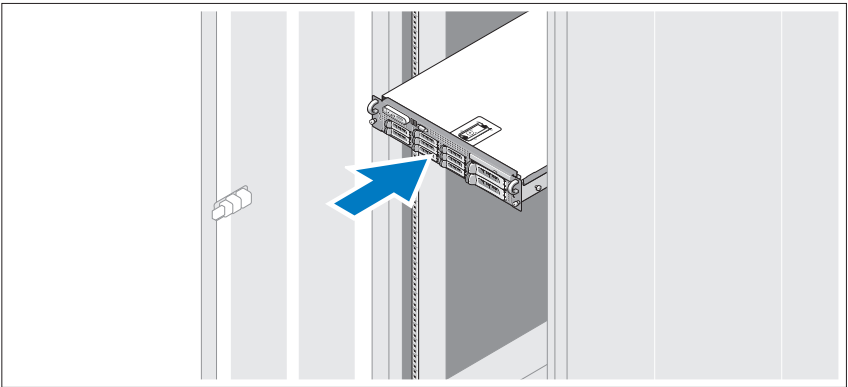
# Installation and Configuration

 **CAUTION:** Before performing the following procedure, review the safety instructions that came with the system.

## Unpacking the System

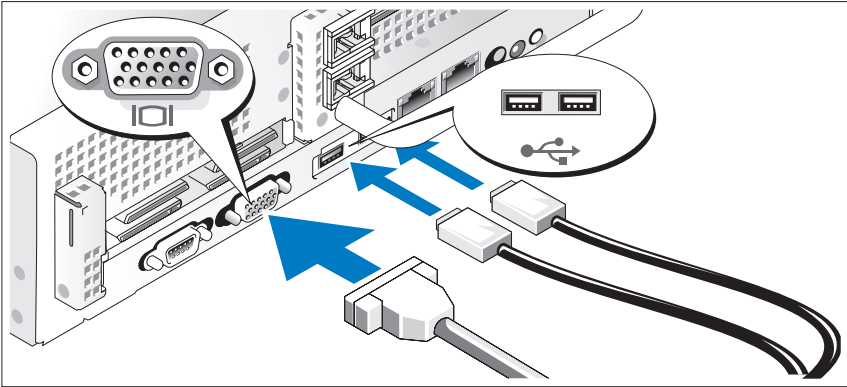
Unpack your system and identify each item.

## Install the Rails and System in a Rack



Assemble the rails and install the system in the rack following the safety instructions and the rack installation instructions provided with your system.

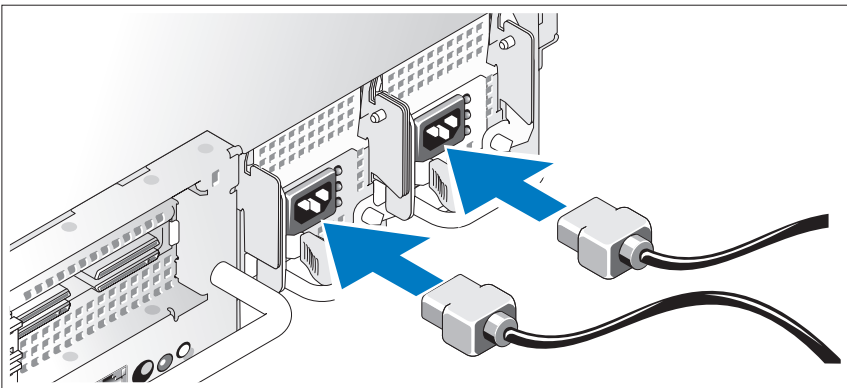
## Connect the Keyboard, Mouse, and Monitor



Connect the keyboard, mouse, and monitor (optional).

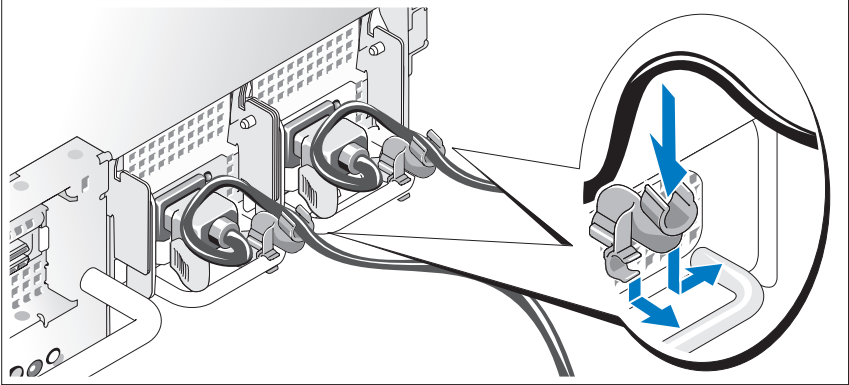
The connectors on the back of your system have icons indicating which cable to plug into each connector. Be sure to tighten the screws (if any) on the monitor's cable connector.

## Connect the Power



Connect the system's power cable(s) to the system and, if a monitor is used, connect the monitor's power cable to the monitor.

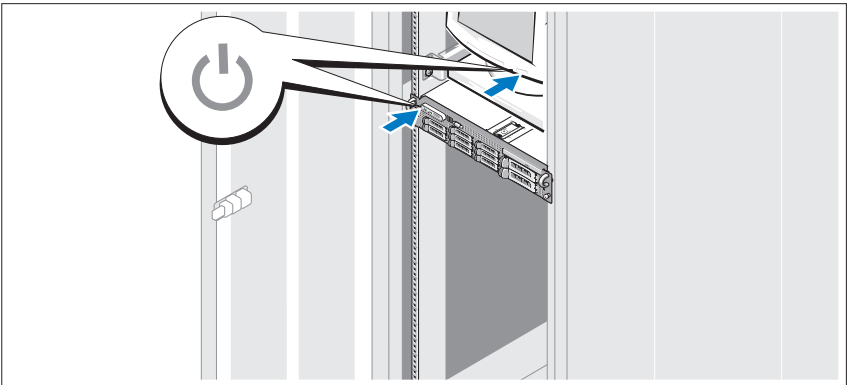
## Install the Power Cord Retention Bracket



Attach the power cord retention bracket on the right bend of the power supply handle. Bend the system power cable into a loop as shown in the illustration and attach to the bracket's cable clasp.

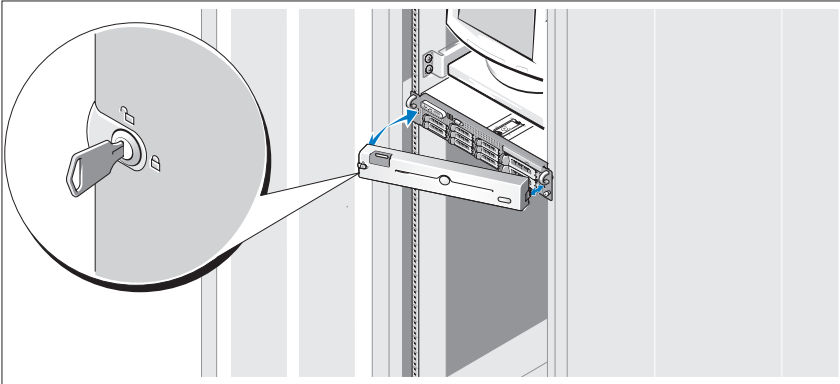
Plug the other end of the power cables into a grounded electrical outlet or a separate power source such as an uninterruptible power supply (UPS) or a power distribution unit (PDU).

## Turn on the System



Press the power button on the system and the monitor. The power indicators should light.

## Install the Bezel



Install the bezel (optional).

## Complete the Operating System Setup

If you purchased a preinstalled operating system, see the operating system documentation that ships with your system. To install an operating system for the first time, see the installation and configuration documentation for your operating system. Be sure the operating system is installed before installing hardware or software not purchased with the system.

## Technical Specifications

---

### Processor

---

|                |  |
|----------------|--|
| Processor type | One or two Dual-Core Intel Xeon Processors 5000 Sequence |
|----------------|--|

---

### Expansion Bus

---

|          |             |
|----------|-------------|
| Bus type | PCI-X, PCIe |
|----------|-------------|

---

### Expansion slots

Center riser:

|      |  |
|------|--|
| PCIe | One half-height x8 lane 3.3-V (slot 1) |
|------|--|

---

**Expansion Bus (continued)**

---

Left riser

PCI-X option: Two full-height, full-length 3.3-V, 64-bit, 133-MHz (slots 2 and 3)

OR

PCIe option: One full-height x8 lane 3.3-V (slot 2) and one full-height x4 lane 3.3-V (slot 3)

---

**Memory**

---

|                          |                                    |
|--------------------------|------------------------------------|
| Architecture             | 667 MHz Fully Buffered DIMMs (FBD) |
| Memory module sockets    | Eight 240-pin                      |
| Memory module capacities | 1 GB or 2 GB                       |
| Minimum RAM              | 4 GB                               |
| Maximum RAM              | 16 GB                              |

---

**Drives**

---

|                |   |
|----------------|---|
| Hard drives    | Up to four 3.5-inch, internal hot-pluggable SATA hard drives                              |
| Diskette drive | External optional USB 3.5-inch, 1.44-MB   |
| Optical drive  | One slimline SATA DVD or combination CD-RW/DVD<br><b>NOTE:</b> DVD devices are data only. |
| Flash drive    | External optional USB   |

---

**Connectors**

---

**Back**

|        |                                      |
|--------|--------------------------------------|
| NIC    | Two RJ-45 (for integrated 1-GB NICs) |
| Serial | 9-pin, DTE, 16550-compatible         |
| USB    | Two 4-pin, USB 2.0-compliant         |
| Video  | 15-pin VGA                           |

**Front**

|       |                              |
|-------|------------------------------|
| Video | 15-pin VGA                   |
| USB   | Two 4-pin, USB 2.0-compliant |

---

**Video**

---

|              |   |
|--------------|---|
| Video type   | ATI ES1000 video controller; VGA connectors |
| Video memory | 16 MB of DDR SDRAM                          |

---

**Power**

---

**AC power supply (per power supply)**

|                        |   |
|------------------------|---|
| Wattage                | 750 W   |
| Voltage                | 85–264 VAC, autoranging, 47–63 Hz   |
| Heat dissipation       | 2697 BTU/hr maximum   |
| Maximum inrush current | Under typical line conditions and over the entire system ambient operating range, the inrush current may reach 55 A per power supply for 10 ms or less. |

**Batteries**

|                         |                                     |
|-------------------------|-------------------------------------|
| System battery          | CR 2032 3.0-V lithium ion coin cell |
| RAID battery (optional) | 4.1-V lithium ion                   |



---

**Physical**

---

**Rack**

|                                |                     |
|--------------------------------|---------------------|
| Height                         | 8.656 cm (3.40 in)  |
| Width                          | 44.7 cm (17.6 in)   |
| Depth                          | 75.68 cm (29.79 in) |
| Weight (maximum configuration) | 26.76 kg (59 lb)    |

---

**Environmental**

---

**NOTE:** For additional information about environmental measurements for specific system configurations, see [www.dell.com/environmental\\_datasheets](http://www.dell.com/environmental_datasheets).

**Temperature**

|           |  |
|-----------|--|
| Operating | 10° to 35°C (50° to 95°F) with a maximum temperature gradation of 10°C per hour    |
| Storage   | -40° to 65°C (-40° to 149°F) with a maximum temperature gradation of 20°C per hour |

**Relative humidity**

|           |  |
|-----------|--|
| Operating | 20% to 80% (noncondensing) with a maximum humidity gradation of 10% per hour |
| Storage   | 5% to 95% (noncondensing) with a maximum humidity gradation of 10% per hour  |

**Maximum vibration**

|           |                               |
|-----------|-------------------------------|
| Operating | 0.25 G at 3–200 Hz for 15 min |
| Storage   | 0.5 G at 3–200 Hz for 15 min  |

**Maximum shock**

|           |  |
|-----------|--|
| Operating | One shock pulse in the positive z axis (one pulse on each side of the system) of 41 G for up to 2 ms |
|-----------|--|

---

**Environmental (continued)**

---

|         |   |
|---------|---|
| Storage | Six consecutively executed shock pulses in the positive and negative x, y, and z axes (one pulse on each side of the system) of 71 G for up to 2 ms |
|---------|---|

**Altitude**

|           |                                  |
|-----------|----------------------------------|
| Operating | -16 to 3048 m (-50 to 10,000 ft) |
|-----------|----------------------------------|

|         |                                    |
|---------|------------------------------------|
| Storage | -16 to 10,600 m (-50 to 35,000 ft) |
|---------|------------------------------------|

**Airborne Contaminant Level**

|       |   |
|-------|---|
| Class | G2 or lower as defined by ISA-S71.04-1985 |
|-------|---|

Dell™ PowerVault™ DL2000

# Mise en route de votre système

Modèle EMS01



# Remarques, avis et précautions



**REMARQUE** : une REMARQUE indique des informations importantes qui peuvent vous aider à mieux utiliser votre système.



**AVIS** : un AVIS vous avertit d'un risque d'endommagement du matériel ou de perte de données et vous indique comment éviter le problème.



**PRÉCAUTION !** une PRÉCAUTION vous avertit d'un risque d'endommagement du matériel, de blessure corporelle ou de mort.

---

**Les informations contenues dans ce document sont sujettes à modification sans préavis.**

© 2008 Dell Inc. Tous droits réservés.

La reproduction de ce document de quelque manière que ce soit sans l'autorisation écrite de Dell Inc. est strictement interdite.

Marques mentionnées dans ce document : *Dell*, le logo *DELL* et *PowerVault* sont des marques de Dell Inc. ; *Intel* et *Xeon* sont des marques déposées d'Intel Corporation aux États-Unis et dans d'autres pays ; *Microsoft*, *Windows* et *Windows Server* sont des marques ou des marques déposées de Microsoft Corporation aux États-Unis et/ou dans d'autres pays.

D'autres marques et noms de marque peuvent être utilisés dans ce document pour faire référence aux entités se réclamant de ces marques et de ces noms ou à leurs produits. Dell Inc. décline tout intérêt dans l'utilisation des marques et des noms de marques ne lui appartenant pas.

Modèle EMS01

Août 2008

RÉF. P988X

Rév. A00

# Table des matières

|   |           |
|---|-----------|
| <b>Caractéristiques du système</b> . . . . .                                  | <b>21</b> |
| <b>Systèmes d'exploitation pris en charge</b> . . . . .                       | <b>23</b> |
| <b>Autres informations utiles</b> . . . . .                                   | <b>23</b> |
| <b>Obtention d'une assistance technique</b> . . . . .                         | <b>24</b> |
| <b>Informations NOM (Mexique uniquement)</b> . . . . .                        | <b>24</b> |
| <b>Installation et configuration</b> . . . . .                                | <b>25</b> |
| Déballage du système . . . . .  | 25        |
| Installation des rails et du système<br>dans un rack . . . . .                | 25        |
| Connexion du clavier, de la souris et du<br>moniteur . . . . .                | 26        |
| Alimentation . . . . .  | 26        |
| Fixation du support du câble d'alimentation . . . . .                         | 27        |
| Mise sous tension du système . . . . .  | 27        |
| Installation de la façade . . . . .   | 28        |
| <b>Finalisation de l'installation du système<br/>d'exploitation</b> . . . . . | <b>28</b> |
| <b>Spécifications techniques</b> . . . . .                                    | <b>28</b> |



## Caractéristiques du système

Les principales caractéristiques du système sur les plans matériel et logiciel sont les suivantes :

- Deux processeurs double cœur ou quatre cœurs Intel® Xeon® séries 5400 et 5200
- Prise en charge du SMP (Symmetric Multiprocessing - multi-traitement symétrique), disponible sur les systèmes dotés de deux processeurs Intel Xeon. Le SMP améliore considérablement les performances du système en partageant les tâches des processeurs entre des processeurs indépendants. Pour utiliser cette fonctionnalité, vous devez utiliser un système d'exploitation prenant en charge le multi-traitement.



**REMARQUE** : si vous décidez de mettre le système à niveau en installant un second processeur, vous devez commander les kits de mise à niveau de processeur chez Dell. Certaines versions du processeur Intel Xeon ne fonctionnent pas correctement comme processeurs supplémentaires. Le kit de mise à niveau de Dell contient la version de processeur correcte, le dissipateur de chaleur et le ventilateur ainsi que les instructions de mise à niveau.

- Des DIMM de 4 Go de 667 MHz minimum entièrement en mémoire tampon (FBD), extensibles jusqu'à un maximum de 16 Go en installant des combinaisons de modules de mémoire de 1 Go ou 2 Go dans les huit connecteurs mémoire sur la carte mère.
- Le système est également équipé d'une mémoire redondante, ce qui permet de bénéficier d'une réserve utilisée en cas de défaillance, ou d'une fonction de mise en miroir de la mémoire. Ces fonctions sont disponibles si les huit modules de mémoire installés sont identiques.
- Prise en charge de disques durs internes SATA : jusqu'à quatre disques durs de 8,9 cm (3,5 po) enfichables à chaud.
- Un lecteur DVD SATA ultra-mince, ou un lecteur CD-RW/DVD.



**REMARQUE** : les périphériques DVD sont uniquement des périphériques de données.

- Un détecteur d'intrusion qui transmet une alerte au logiciel de gestion des systèmes approprié en cas d'ouverture du capot de l'ordinateur.
- Contrôleur de gestion d'alimentation BMC (Baseboard Management Controller) permettant de contrôler le courant, la tension et la puissance utilisés par le système.

- Jusqu'à deux blocs d'alimentation de 750 W enfichables à chaud dans une configuration redondante 1 + 1 (facultative).
- Quatre ventilateurs système enfichables à chaud.

La carte mère contient les éléments suivants :

- L'une des options suivantes pour la carte de montage de gauche :
  - Carte comprenant deux logements PCIe pleine longueur (1 PCIe x8 et 1 PCIe x4).
  - OU
  - Carte comprenant deux logements PCI-X 64 bits pleine longueur à 3,3 V et 133 MHz, situés sur des bus PCI-X différents pouvant prendre en charge les cartes d'extension PCI de génération antérieure.
- Carte de montage centrale comprenant un logement PCIe x8 demi-longueur.
- Logement réservé pour un adaptateur de bus hôte SAS intégré. Le canal interne prend en charge jusqu'à quatre disques durs SATA de 8,89 cm (3,5 po).



**REMARQUE** : le démarrage du système à partir d'un périphérique externe connecté à une carte SAS ou SCSI n'est pas pris en charge.

- Deux NIC Ethernet Gigabit intégrés pouvant prendre en charge des débits de données de 10, 100 et 1000 Mo/s.
- NIC Ethernet Gigabit Intel en option (quatre ports) prenant en charge des débits de 10, 100 et 1000 Mo/s, ainsi que l'amorçage iSCSI à distance.
- Prise en charge des cartes Ethernet 10 Go.
- Connecteur USB interne compatible 2.0 prenant en charge un lecteur flash USB amovible ou une clé de mémoire USB.
- Quatre connecteurs USB 2.0 (deux à l'avant et deux à l'arrière) pour la connexion d'un lecteur de disquette, un lecteur CD, un clavier, une souris ou un lecteur flash USB.
- Un contrôleur d'accès à distance (RAC) en option, pour la gestion de systèmes à distance.
- Un sous-système vidéo compatible VGA intégré avec contrôleur vidéo PCI ATI ES1000 (33 MHz). Ce sous-système vidéo contient 16 Mo de mémoire vidéo SDRAM DDR (non extensible). La résolution maximale prise en



charge est de 1600 x 1200 avec 64 000 couleurs. Les graphiques True-color sont pris en charge dans les résolutions suivantes : 640 x 480, 800 x 600, 1024 x 768, 1152 x 864 et 1280 x 1024. Lorsque le contrôleur d'accès à distance en option est installé, la résolution vidéo est de 1280 X 1024.

- Des circuits intégrés de gestion de systèmes surveillant le fonctionnement des ventilateurs, ainsi que les tensions et les températures de système critiques. Ces circuits de surveillance fonctionnent de pair avec les logiciels de gestion de systèmes.
- Contrôleur BMC (Baseboard Management Controller) standard avec accès série.
- Le panneau arrière contient un connecteur vidéo, un port série, deux connecteurs USB et deux connecteurs NIC.
- Les connecteurs du panneau avant comprennent un connecteur vidéo et deux connecteurs USB.
- L'écran LCD 1x5 du panneau avant affiche l'ID du système et les messages d'erreur.
- Les panneaux avant et arrière possèdent un bouton d'ID du système.

Pour plus d'informations sur des caractéristiques spécifiques, reportez-vous à la section « Spécifications techniques », à la page 28.

## Systèmes d'exploitation pris en charge

- Microsoft® Windows® Server 2008 Standard x64 Edition.

## Autres informations utiles



**PRÉCAUTION ! consultez les informations de sécurité et de garantie fournies avec votre système. Les informations sur la garantie se trouvent soit dans ce document, soit à part.**

- Les *Instructions d'installation en rack*, fournies avec le rack, indiquent comment installer le système en rack.
- Le document *Hardware Owner's Manual* (Manuel du propriétaire) contient des informations sur les caractéristiques du système, ainsi que des instructions relatives au dépannage et à l'installation ou au remplacement de composants. Il se trouve sur les CD fournis avec le système ou sur le site [support.dell.com](http://support.dell.com).

- Les CD fournis avec le système contiennent la documentation et des outils de configuration et de gestion du système.
- Si des notes d'édition ou des fichiers Lisez-moi sont fournis, ils contiennent des mises à jour de dernière minute apportées au système ou à la documentation, ou bien des informations techniques destinées aux utilisateurs expérimentés ou aux techniciens.

## Obtention d'une assistance technique

Si vous ne comprenez pas une procédure décrite dans ce guide ou si le système ne réagit pas comme prévu, reportez-vous au document *Hardware Owner's Manual* (Manuel du propriétaire). Dell™ offre une formation exhaustive et une certification sur le matériel. Pour plus d'informations, reportez-vous au site [www.dell.com/training](http://www.dell.com/training). Ce service n'est disponible que dans certains pays.

## Informations NOM (Mexique uniquement)

Les informations suivantes sont fournies sur l'appareil décrit dans ce document, conformément aux exigences de la Norme Officielle Mexicaine (NOM) :

|                             |   |
|-----------------------------|---|
| Importateur :               | Dell Inc. de México, S.A. de C.V.<br>Paseo de la Reforma 2620 -11º Piso<br>Col. Lomas Altas<br>11950 México, D.F. |
| Numéro de modèle :          | EMS01   |
| Tension<br>d'alimentation : | 100–240 V CA<br>-(48–60) V CC   |
| Fréquence :                 | 50/60 Hz  |
| Consommation de<br>courant  | 9,0–4,5 A ;<br>20 A (CC)  |

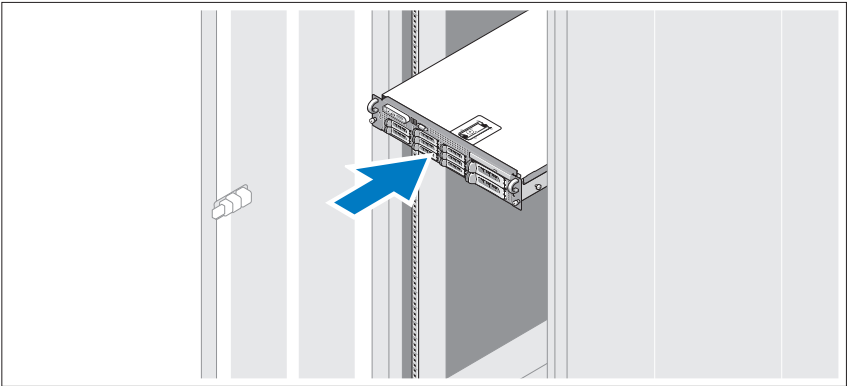
# Installation et configuration

**⚠ PRÉCAUTION !** avant de compléter la procédure suivante, relisez les consignes de sécurité fournies avec le système.

## Déballage du système

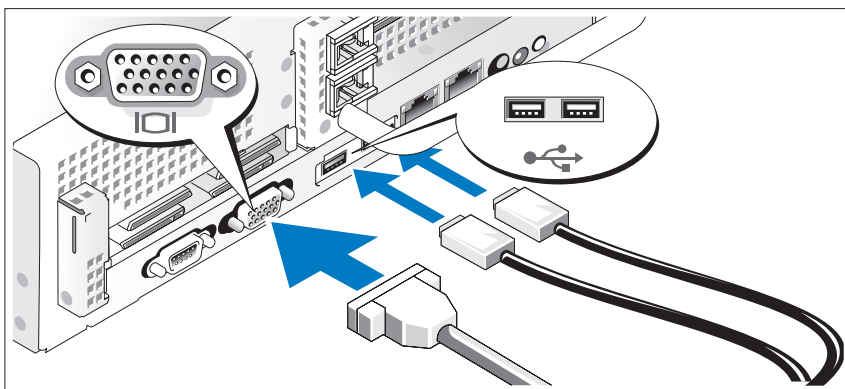
Sortez le système de son emballage et identifiez chaque élément.

## Installation des rails et du système dans un rack



Assemblez les rails et installez le système dans le rack en suivant les consignes de sécurité et les instructions pour l'installation du rack fournies avec votre système.

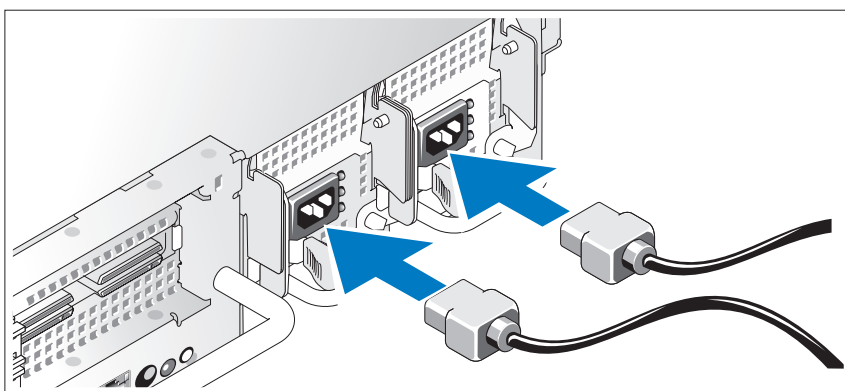
## Connexion du clavier, de la souris et du moniteur



Connectez le clavier et la souris, ainsi que le moniteur (si nécessaire).

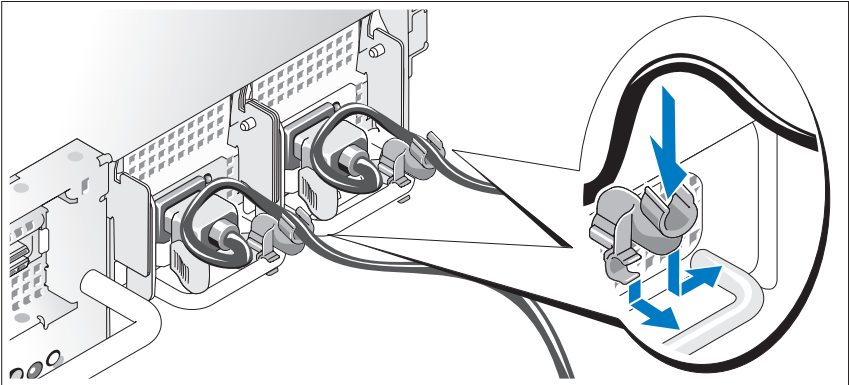
Utilisez les icônes des connecteurs situés à l'arrière du système pour savoir où insérer chaque câble. N'oubliez pas de serrer les vis situées sur le connecteur du câble du moniteur, s'il en est équipé.

## Alimentation



Connectez le(s) câble(s) au système et, si vous utilisez un moniteur, connectez son câble d'alimentation au moniteur.

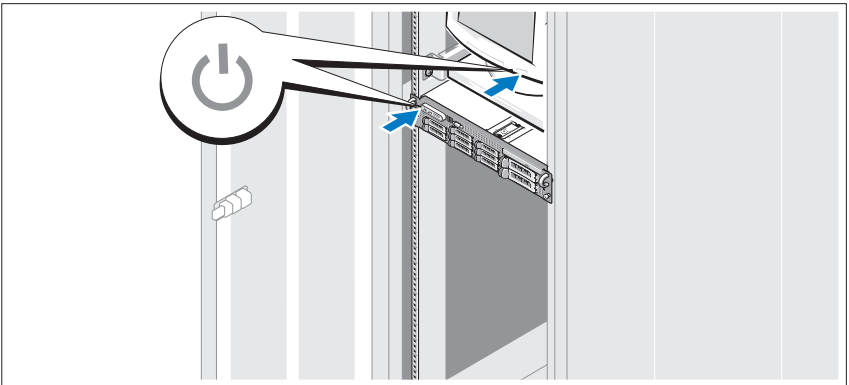
## Fixation du support du câble d'alimentation



Fixez le support du câble sur la courbe droite de la poignée du bloc d'alimentation. Faites une boucle comme indiqué dans l'illustration et insérez le câble d'alimentation dans le clip du support.

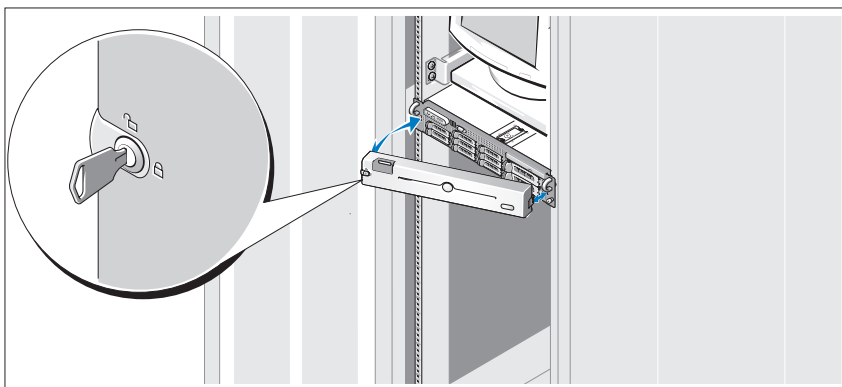
Branchez ensuite l'autre extrémité des câbles d'alimentation sur une prise de courant mise à la terre ou sur une source d'alimentation autonome (onduleur, unité de distribution de l'alimentation [PDU]...).

## Mise sous tension du système



Appuyez sur le bouton d'alimentation du système et sur celui du moniteur. Les voyants d'alimentation doivent s'allumer.

## Installation de la façade



Installez la façade (facultatif).

## Finalisation de l'installation du système d'exploitation

Si vous avez acheté un système d'exploitation préinstallé, consultez tout d'abord la documentation associée, qui a été fournie avec l'ordinateur. Pour installer un système d'exploitation pour la première fois, consultez la documentation concernant l'installation et la configuration de votre système d'exploitation. Veillez à installer le système d'exploitation avant tout élément matériel ou logiciel acheté séparément.

## Spécifications techniques

---

### Processeur

---

Type de processeur

Un ou deux processeurs double cœur  
Intel Xeon 5000

| <b>Bus d'extension</b>       |  |
|------------------------------|--|
| Type de bus                  | PCI-X, PCIe  |
| <b>Logements d'extension</b> |  |
| Carte de montage centrale :  |  |
| PCIe                         | Un emplacement x8 demi-hauteur à 3,3 V (logement 1)  |
| Carte de montage de gauche   |  |
| Option PCI-X :               | Deux emplacements de 64 bits pleine hauteur, pleine longueur à 3,3 V, 64 et 133 MHz (logements 2 et 3)<br>OU   |
| Option PCIe :                | Un emplacement x8 pleine hauteur à 3,3 V (logement 2) et un emplacement x4 pleine hauteur à 3,3 V (logement 3) |

| <b>Mémoire</b>                  |  |
|---------------------------------|--|
| Architecture                    | DIMM entièrement en mémoire tampon (FBD) 667 MHz |
| Supports de modules de mémoire  | Huit à 240 broches                               |
| Capacité des modules de mémoire | 1 Go ou 2 Go                                     |
| RAM minimale                    | 4 Go   |
| RAM maximale                    | 16 Go  |

| <b>Lecteurs</b>      |   |
|----------------------|---|
| Disques durs         | Prise en charge jusqu'à quatre disques durs internes SATA de 8,89 cm (3,5 po) enfichables à chaud   |
| Lecteur de disquette | Un lecteur USB externe 8,89 cm (3,5 po) de 1,44 Mo en option  |
| Lecteur optique      | Un lecteur CD ou DVD SATA ultra-mince, ou un lecteur CD-RW/DVD<br><b>REMARQUE</b> : les périphériques DVD sont uniquement des périphériques de données. |
| Lecteur Flash        | USB externe en option   |

---

**Connecteurs**

---

**Arrière**

|           |   |
|-----------|---|
| Carte NIC | Deux connecteurs RJ-45 (pour NIC 1 Go intégrés)   |
| Série     | Connecteur DTE à 9 broches, compatible 16550      |
| USB       | Deux connecteurs à 4 broches, compatibles USB 2.0 |
| Vidéo     | VGA, 15 broches                                   |

**Avant**

|       |   |
|-------|---|
| Vidéo | VGA, 15 broches                                   |
| USB   | Deux connecteurs à 4 broches, compatibles USB 2.0 |

---

**Vidéo**

---

|               |   |
|---------------|---|
| Type de vidéo | Contrôleur vidéo ATI ES1000 ; connecteurs VGA |
| Mémoire vidéo | 16 Mo, SDRAM DDR                              |

---

**Alimentation**

---

**Bloc d'alimentation CA (selon la tension en vigueur)**

|                          |   |
|--------------------------|---|
| Puissance                | 750 W   |
| Tension                  | 85-264 VCA avec sélection automatique de la tension, 47-63 Hz   |
| Dissipation thermique    | 2697 BTU/h (680 kcal/h) maximum   |
| Appel de courant maximal | Dans des conditions de ligne typiques et dans toute la gamme ambiante de fonctionnement du système, l'appel de courant peut atteindre 55 A par bloc d'alimentation pendant un maximum de 10 ms. |



---

## **Alimentation (suite)**

---

### **Piles**

|                       |   |
|-----------------------|---|
| Batterie du système   | Pile bouton au lithium-ion CR2032 (3 V) |
| Pile RAID (en option) | 4,1 V au lithium-ion                    |

---

## **Caractéristiques physiques**

---

### **Rack**

|                                |                         |
|--------------------------------|-------------------------|
| Hauteur                        | 8,656 cm (3,40 pouces)  |
| Largeur                        | 44,7 cm (17,6 pouces)   |
| Profondeur                     | 75,68 cm (29,79 pouces) |
| Poids (configuration maximale) | 26,76 kg (59 livres)    |

---

## **Environnement**

---

**REMARQUE :** pour plus d'informations concernant les mesures d'exploitation liées à différentes configurations spécifiques, rendez-vous à l'adresse [www.dell.com/environmental\\_datasheets](http://www.dell.com/environmental_datasheets).

### **Température**

|                |  |
|----------------|--|
| Fonctionnement | De 10 ° à 35 °C (de 50 ° à 95 °F) avec un gradient thermique maximal de 10 °C par heure    |
| Stockage       | De -40 ° à 65 °C (de -40 ° à 149 °F) avec un gradient thermique maximal de 20 °C par heure |

### **Humidité relative**

|                |  |
|----------------|--|
| Fonctionnement | De 20 % à 80 % (sans condensation) avec un gradient d'humidité maximal de 10 % par heure |
| Stockage       | De 5 % à 95 % (sans condensation) avec un gradient d'humidité maximal de 10 % par heure  |

---

**Environnement (suite)**

---

**Tolérance maximale aux vibrations**

|                |  |
|----------------|--|
| Fonctionnement | 0,25 G avec un balayage de 3 à 200 Hz pendant 15 minutes |
| Stockage       | 0,5 G avec un balayage de 3 à 200 Hz pendant 15 minutes  |

**Choc maximal**

|                |   |
|----------------|---|
| Fonctionnement | Une impulsion de choc de 41 G pendant un maximum de 2 ms sur l'axe z positif (une impulsion de chaque côté du système)                          |
| Stockage       | Six chocs consécutifs de 71 G pendant un maximum de 2 ms en positif et négatif sur les axes x, y et z (une impulsion de chaque côté du système) |

**Altitude**

|                |  |
|----------------|--|
| Fonctionnement | De -16 à 3048 m (de -50 à 10 000 pieds)  |
| Stockage       | De -16 à 10600 m (de -50 à 35 000 pieds) |

**Contaminants en suspension dans l'air**

|        |   |
|--------|---|
| Classe | G2 ou inférieure selon la norme ISA-S71.04-1985 |
|--------|---|

Dell™ PowerVault™ DL2000

# Introdução ao uso do seu sistema

Modelo EMS01



# Notas, avisos e advertências



**NOTA:** uma NOTA fornece informações importantes para ajudar você a usar melhor o computador.



**AVISO:** um AVISO indica um potencial de danos ao hardware ou de perda de dados e descreve como evitar o problema.



**ADVERTÊNCIA:** uma ADVERTÊNCIA indica um potencial de danos à propriedade, risco de lesões corporais ou mesmo de morte.

---

As informações contidas neste documento estão sujeitas a alterações sem aviso prévio.

© 2008 Dell Inc. Todos os direitos reservados.

É expressamente proibida qualquer forma de reprodução deste material sem a permissão por escrito da Dell Inc.

Marcas comerciais usadas neste texto: *Dell*, o logotipo *DELL* e *PowerVault* são marcas comerciais da Dell Inc.; *Intel* e *Xeon* são marcas registradas da Intel Corporation nos EUA e em outros países; *Microsoft*, *Windows* e *Windows Server* são marcas comerciais ou marcas registradas da Microsoft Corporation nos Estados Unidos e/ou em outros países.

Outras marcas e nomes comerciais podem ser mencionados neste documento em referência às entidades proprietárias das marcas e nomes ou a seus produtos. A Dell Inc. declara que não tem interesse de propriedade sobre marcas comerciais e nomes comerciais que não sejam os seus próprios.

Modelo EMS01

Agosto de 2008

P/N P988X

Rev. A00

# Índice

|  |           |
|--|-----------|
| <b>Recursos do sistema</b> . . . . .                               | <b>37</b> |
| <b>Sistemas operacionais suportados</b> . . . . .                  | <b>39</b> |
| <b>Outras informações úteis</b> . . . . .                          | <b>39</b> |
| <b>Como obter assistência técnica</b> . . . . .                    | <b>40</b> |
| <b>Informações da NOM (apenas para o México)</b> . . . . .         | <b>40</b> |
| <b>Instalação e configuração</b> . . . . .                         | <b>41</b> |
| Remover o sistema da embalagem . . . . .                           | 41        |
| Instalar os trilhos e o sistema no rack . . . . .                  | 41        |
| Conectar o teclado, o mouse e o monitor . . . . .                  | 42        |
| Conectar a alimentação . . . . .                                   | 42        |
| Instalar o suporte de retenção do cabo de<br>alimentação . . . . . | 43        |
| Ligar o sistema . . . . .  | 43        |
| Instalar o bixel . . . . .   | 44        |
| <b>Concluir a configuração do sistema operacional</b> . . . . .    | <b>44</b> |
| <b>Especificações técnicas</b> . . . . .                           | <b>44</b> |



## Recursos do sistema

Os principais recursos de hardware e software do sistema são:

- Dois processadores Intel® Xeon® dual-core ou quad-core série 5400 e série 5200.
- Suporte para multiprocessamento simétrico (SMP - “symmetric multiprocessing”), disponível nos sistemas com dois processadores Intel Xeon. O SMP melhora grandemente o desempenho geral do sistema, dividindo as operações do processador entre processadores independentes. Para aproveitar as vantagens desse recurso, use um sistema operacional que suporte multiprocessamento.



**NOTA:** Se decidir atualizar o sistema com a instalação de um segundo processador, você precisará comprar da Dell os kits de upgrade do processador. Nem todas as versões do processador Intel Xeon irão funcionar adequadamente como processadores adicionais. O kit de upgrade da Dell contém a versão correta do processador, do dissipador de calor e do ventilador, e as instruções para fazer o upgrade.

- Um mínimo de 4 GB de DIMMs “fully buffered” (FBD) de 667 MHz, ampliáveis para um máximo de 16 GB através da instalação de combinações de módulos de memória de 1 GB ou 2 GB nos oito soquetes de módulos de memória da placa de sistema.
- O sistema tem também o recurso de memória redundante, que faz a distribuição ou o espelhamento de memória. Esses recursos estarão disponíveis se forem instalados oito módulos de memória idênticos.
- Suporte para até quatro discos rígidos SATA internos hot-plug de 3,5 polegadas.
- Uma unidade de DVD SATA slim ou uma unidade combo de CD-RW/DVD.



**NOTA:** Os dispositivos de DVD só podem ser usados para dados.

- Uma chave de violação do chassi que manda um sinal ao software de gerenciamento de sistema quando a tampa superior é aberta.
- Um gerenciador de energia BMC (Baseboard Management Control - Controle de gerenciamento da placa base) que monitora a corrente, a tensão e o uso de energia do sistema.

- Até duas fontes de alimentação “hot-plug” de 750 W em uma configuração redundante 1+1 opcional.
- Quatro ventiladores “hot-plug” de sistema.

A placa de sistema contém os seguintes recursos:

- Uma das seguintes opções de placa riser esquerda:
  - Uma placa riser esquerda com um slot PCIe de pista x8 de comprimento total e um slot PCIe de pista x4 de comprimento total.
  - OU
  - Uma placa riser esquerda com dois slots PCI-X 133 MHz de 64 bits e 3,3 V em barramentos PCI-X separados (capacidade de retroajuste para suportar placas PCI preexistentes).

- Uma placa riser central com um slot PCIe de pista x8 de meio-comprimento.
- Slot dedicado para um adaptador de barramento host SAS integrado. O canal interno suporta até quatro discos rígidos SATA de 3,5 polegadas.



**NOTA:** A inicialização do sistema a partir de um dispositivo externo conectado a um adaptador SAS ou SCSI não é suportada.

- Duas placas de rede Gigabit Ethernet integradas, capazes de suportar taxas de dados de 10 Mbps, 100 Mbps e 1.000 Mbps.
- Placa de rede opcional Intel quad-port Gigabit Ethernet com suporte para taxas de dados de 10 Mbps, 100 Mbps e 1.000 Mbps e inicialização remota iSCSI.
- Suporte para placas Ethernet de 10 Gb.
- Um conector interno compatível com USB 2.0 com suporte para unidade flash USB ou pen drive USB inicializáveis.
- Quatro conectores compatíveis com USB 2.0 (dois na parte frontal e dois na parte traseira) capazes de suportar unidades de disquete, unidades de CD-ROM, teclado, mouse ou unidades flash USB.
- Controlador de acesso remoto (RAC - Remote Access Controller) opcional para o gerenciamento remoto de sistemas.
- Um subsistema integrado de vídeo compatível com o padrão VGA, com um controlador de vídeo PCI ATI ES1000 de 33 MHz. O subsistema de vídeo contém 16 MB de memória de vídeo DDR SDRAM (não expansível).



A resolução máxima é de 1600 x 1200 com 64 K cores; são suportados gráficos “true-color” nas seguintes resoluções: 640 x 480, 800 x 600, 1024 x 768 e 1280 x 1024. Quando o controlador de acesso remoto (RAC) opcional estiver instalado, a resolução de vídeo será de 1280 X 1024.


- Circuito de gerenciamento do sistema que monitora o funcionamento dos ventiladores e as tensões e temperaturas críticas do sistema. O circuito de gerenciamento do sistema trabalha em conjunto com o software de gerenciamento do sistema.
- Controlador padrão de gerenciamento da placa de base com acesso serial.
- Os conectores do painel traseiro incluem um conector serial, um conector de vídeo, dois conectores USB e dois conectores NIC.
- Os conectores do painel frontal incluem um conector de vídeo e dois conectores USB.
- Um visor LCD de 1x5 pol. no painel frontal para mostrar o ID do sistema e mensagens de erro.
- Botão de identificação do sistema nos painéis frontal e traseiro.

Para obter mais informações sobre recursos específicos, consulte a seção “Especificações técnicas” na página 44.

## Sistemas operacionais suportados

- Microsoft® Windows® Server 2008 edição Standard x64.

## Outras informações úteis

 **ADVERTÊNCIA: Consulte as informações sobre normalização e segurança fornecidas com o sistema. As informações sobre garantia podem estar incluídas neste documento ou serem fornecidas como um documento separado.**

- *As instruções para instalação em rack* incluídas com o rack descrevem como instalar o sistema em racks.
- O *Manual do Proprietário de Hardware* fornece informações sobre os recursos do sistema e descreve como solucionar problemas do sistema e instalar ou trocar componentes. Esse documento pode ser encontrado nos CDs que acompanham o sistema ou no site [support.dell.com](http://support.dell.com).
- Os CDs fornecidos com o sistema cotêm documentação e ferramentas para a configuração e o gerenciamento do sistema.

- Eles podem conter também notas de versão e arquivos leia-me (Readme) que descrevem atualizações de última hora do sistema ou documentação e material de referência técnica avançada para usuários experientes ou técnicos.

## Como obter assistência técnica

Se não você não entender algum procedimento descrito neste guia ou se o sistema não apresentar o desempenho esperado, consulte o *Manual do Proprietário de Hardware*. A Dell™ oferece treinamento abrangente e certificação de hardware. Consulte o site [www.dell.com/training](http://www.dell.com/training) para obter mais informações. Esse serviço pode não ser oferecido em todos os locais.

## Informações da NOM (apenas para o México)

As informações referentes aos dispositivos descritos neste documento e mostradas a seguir são fornecidas em conformidade com os requisitos das Normas Oficiais Mexicanas (NOM):

|                           |   |
|---------------------------|---|
| Importador:               | Dell Inc. de México, S.A. de C.V.<br>Paseo de la Reforma 2620 -11º Piso<br>Col. Lomas Altas<br>11950 México, D.F. |
| Modelo:                   | EMS01   |
| Tensão de<br>alimentação: | 100 a 240 V CA<br>-(48 a 60) V CC   |
| Frequência:               | 50 ou 60 Hz   |
| Consumo de corrente:      | 9,0 a 4,5 A;<br>20 A (CC)   |

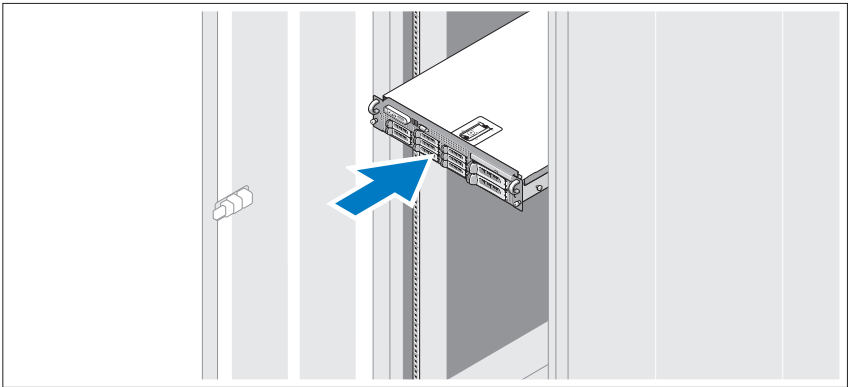
## Instalação e configuração

**⚠ ADVERTÊNCIA:** Antes de executar o procedimento a seguir, siga as instruções de segurança fornecidas com o sistema.

### Remover o sistema da embalagem

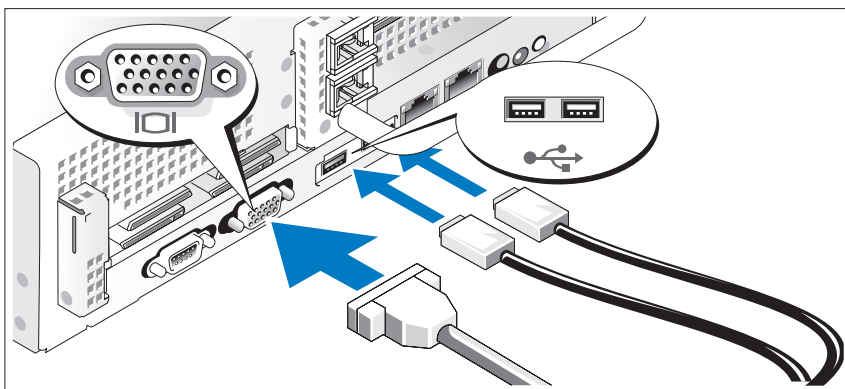
Remova o sistema da embalagem e identifique cada item.

### Instalar os trilhos e o sistema no rack



Monte os trilhos e instale o sistema no rack seguindo as instruções de segurança e as instruções de instalação fornecidas com o sistema.

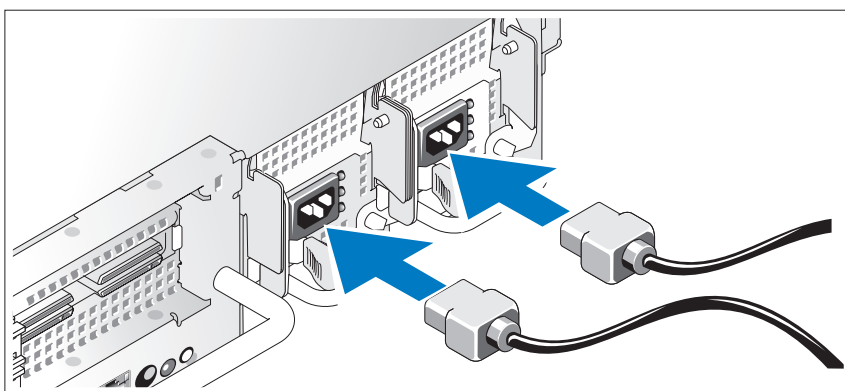
## Conectar o teclado, o mouse e o monitor



Conecte o teclado, o mouse e o monitor (opcional).

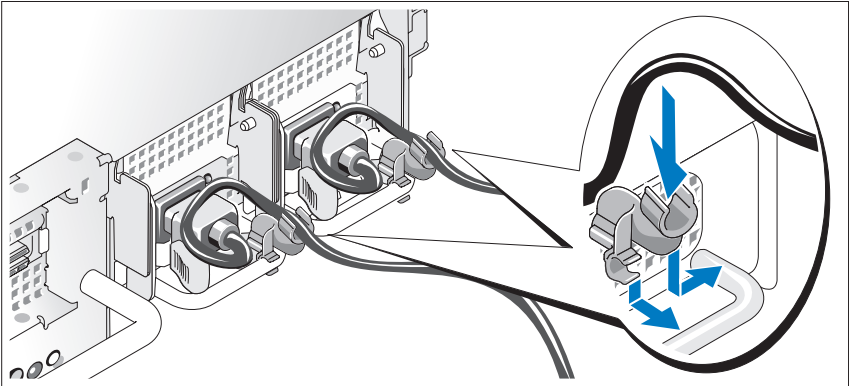
Os conectores na parte de trás do sistema têm ícones que indicam quais cabos devem ser ligados a cada conector. Aperte os parafusos (se houver) do conector do cabo do monitor.

## Conectar a alimentação



Conecte o(s) cabo(s) de alimentação ao sistema e, se for usado um monitor, conecte o cabo de alimentação ao monitor.

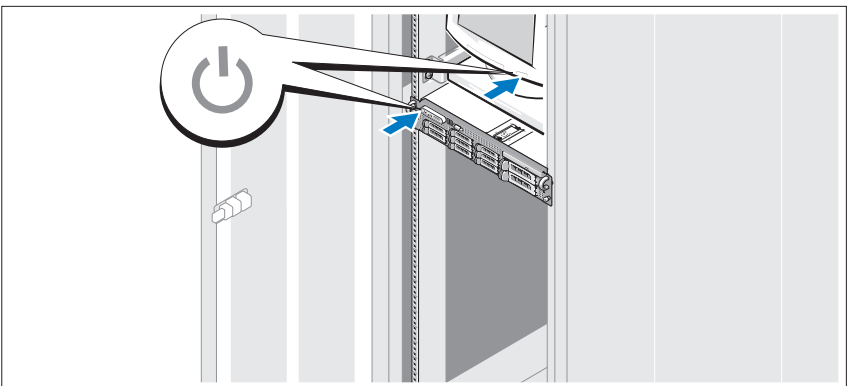
## Instalar o suporte de retenção do cabo de alimentação



Prenda o suporte de retenção do cabo de alimentação na dobra direita da alça da fonte de alimentação. Faça um laço no cabo de alimentação, conforme mostrado na ilustração, e prenda-o ao gancho localizado no suporte.

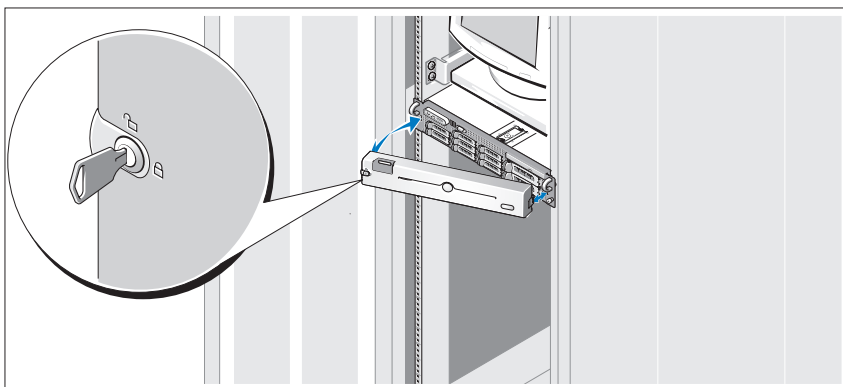
Conecte a outra extremidade dos cabos de alimentação a uma tomada elétrica aterrada ou a uma fonte de energia separada, por exemplo, uma UPS (Uninterruptible Power Supply [fonte de alimentação ininterrupta]) ou uma PDU (Power Distribution Unit [unidade de distribuição de energia]).

## Ligar o sistema



Pressione o botão liga/desliga do sistema e do monitor. As luzes indicadoras de energia deverão se acender.

## Instalar o bixel



Instale o bixel (opcional).

## Concluir a configuração do sistema operacional

Se você tiver comprado um sistema operacional pré-instalado, consulte a respectiva documentação fornecida com o sistema. Para instalar um sistema operacional pela primeira vez, consulte a documentação de instalação e configuração do sistema operacional. Certifique-se de que o sistema operacional esteja instalado antes de instalar qualquer hardware ou software que não tenha sido adquirido com o sistema.

## Especificações técnicas

---

### Processador

---

|                     |  |
|---------------------|--|
| Tipo de processador | Um ou dois processadores Intel Xeon Dual Core Série 5000 |
|---------------------|--|

---

### Barramento de expansão

---

|                    |             |
|--------------------|-------------|
| Tipo de barramento | PCI-X, PCIe |
|--------------------|-------------|

Slots de expansão

Riser central:

|      |   |
|------|---|
| PCIe | Um slot de pista x8 de 3,3 V com meia-altura (slot 1) |
|------|---|

---

**Barramento de expansão (continuação)**

---

Placa riser esquerda

Opção PCI-X: Dois slots de 133 MHz de 64 bits e 3,3 V, com altura total e comprimento total (slots 2 e 3)

OU

Opção PCIe: Um slot de pista x8 de 3,3 V com altura total (slot 2) e um slot de pista x4 de 3,3 V com altura total (slot 3)

---

**Memória**

---

Arquitetura DIMMs “fully buffered” (FBD) de 667 MHz

Soquetes dos módulos de memória Oito de 240 pinos

Capacidades dos módulos de memória 1 GB ou 2 GB

Mínimo de RAM 4 GB

Máximo de RAM 16 GB

---

**Unidades**

---

Discos rígidos Até quatro discos rígidos SATA internos hot-plug de 3,5 polegadas.

Unidade de disquete Unidade USB externa opcional de 3,5 polegadas de 1,44 MB

Unidade óptica Uma unidade SATA slimline de DVD ou combo de CD-RW/DVD

**NOTA:** Os dispositivos de DVD só podem ser usados para dados.

Unidade flash USB externa opcional

---

**Conectores**

---

**Traseiros**

|               |   |
|---------------|---|
| Placa de rede | Dois RJ-45 (para placas de rede de 1 GB integradas) |
| Serial        | DTE de 9 pinos, compatível com 16550                |
| USB           | Dois de 4 pinos, compatíveis com USB 2.0            |
| Vídeo         | VGA de 15 pinos                                     |

**Frontais**

|       |  |
|-------|--|
| Vídeo | VGA de 15 pinos                          |
| USB   | Dois de 4 pinos, compatíveis com USB 2.0 |

---

**Vídeo**

---

|                  |   |
|------------------|---|
| Tipo de vídeo    | Controlador de vídeo ATI ES1000; conectores VGA |
| Memória de vídeo | 16 MB de SDRAM DDR                              |

---

**Alimentação**

---

**Fonte de alimentação CA (por fonte de alimentação)**

|                                       |  |
|---------------------------------------|--|
| Potência                              | 750 W  |
| Tensão                                | 90 a 264 VCA, detecção automática, 47 a 63 Hz  |
| Dissipação de calor                   | Máxima de 2697 BTU/h   |
| Surtos máximos de corrente de entrada | Sob condições de linha típicas e dentro da faixa de temperatura ambiente de funcionamento do sistema, a corrente de entrada poderá atingir 55 A por fonte de alimentação por 10 ms ou menos. |



---

## **Alimentação (continuação)**

---

### **Baterias**

|                         |   |
|-------------------------|---|
| Bateria do sistema      | Bateria tipo moeda de íons de lítio, CR 2032 de 3,0 V |
| Bateria RAID (opcional) | Íons de lítio de 4,1 V                                |

---

## **Características físicas**

---

### **Rack**

|                                  |         |
|----------------------------------|---------|
| Altura                           | 8,7 cm  |
| Largura                          | 44,7 cm |
| Profundidade                     | 75,7 cm |
| Peso (com a configuração máxima) | 26,6 kg |

---

## **Condições ambientais**

---

**NOTA:** Para obter informações adicionais sobre valores ambientais para configurações de sistema específicas, visite o site [www.dell.com/environmental\\_datasheets](http://www.dell.com/environmental_datasheets).

### **Temperatura**

|                  |  |
|------------------|--|
| De funcionamento | 10 °C a 35 °C com variação máxima de 10 °C por hora  |
| De armazenamento | -40 °C a 65 °C com variação máxima de 20 °C por hora |

### **Umidade relativa**

|                  |   |
|------------------|---|
| De funcionamento | 20% a 80% (sem condensação) com variação máxima de 10% por hora |
| De armazenamento | 5% a 95% (sem condensação) com variação máxima de 10% por hora  |

### **Vibração máxima**

|                  |                                     |
|------------------|-------------------------------------|
| De funcionamento | 0,25 G em 3 a 200 Hz por 15 minutos |
| De armazenamento | 0,25 G em 3 a 200 Hz por 15 minutos |

---

**Condições ambientais (continuação)**

---

**Choque máximo**

|                  |   |
|------------------|---|
| De funcionamento | Um pulso de choque no eixo z positivo (um pulso de cada lado do sistema) de 41 G por até 2 ms   |
| De armazenamento | Seis pulsos de choque aplicados consecutivamente nos eixos x, y e z positivos e negativos (um pulso de cada lado do sistema) de 71 G por até 2 ms |

**Altitude**

|                  |                  |
|------------------|------------------|
| De funcionamento | -16 m a 3.048 m  |
| De armazenamento | -16 m a 10.600 m |

**Nível de contaminantes no ar**

|        |  |
|--------|--|
| Classe | G2 ou inferior, conforme definido pela ISA-S71.04-1985 |
|--------|--|

Dell™ PowerVault™ DL2000

# Inicio de su sistema

Modelo EMS01



# Notas, avisos y precauciones



**NOTA:** una NOTA proporciona información importante que le ayudará a utilizar mejor el sistema.



**AVISO:** un AVISO indica la posibilidad de daños en el hardware o la pérdida de datos, y le informa cómo evitar el problema.



**PRECAUCIÓN:** un mensaje de PRECAUCIÓN indica el riesgo de daños materiales, lesiones o incluso la muerte.

---

**La información contenida en este documento puede modificarse sin previo aviso.**

**© 2008 Dell Inc. Todos los derechos reservados.**

Queda estrictamente prohibida la reproducción de este material en cualquier forma sin la autorización por escrito de Dell Inc.

Marcas comerciales utilizadas en este texto: *Dell*, el logotipo de *DELL* y *PowerVault* son marcas comerciales de Dell Inc.; *Intel* y *Xeon* son marcas comerciales registradas de Intel Corporation en Estados Unidos y en otros países; *Microsoft*, *Windows* y *Windows Server* son marcas comerciales o marcas comerciales registradas de Microsoft Corporation en Estados Unidos y/o en otros países.

Otras marcas y otros nombres comerciales pueden utilizarse en este documento para hacer referencia a las entidades que los poseen o a sus productos. Dell Inc. renuncia a cualquier interés sobre la propiedad de marcas y nombres comerciales que no sean los suyos.

Modelo EMS01

Agosto de 2008

P/N P988X

Rev. A00

# Contenido

|   |           |
|---|-----------|
| <b>Componentes del sistema . . . . .</b>                                    | <b>53</b> |
| <b>Sistemas operativos admitidos . . . . .</b>                              | <b>55</b> |
| <b>Otra información útil . . . . .</b>                                      | <b>55</b> |
| <b>Obtención de asistencia técnica . . . . .</b>                            | <b>56</b> |
| <b>Información de la NOM (sólo para México) . . . . .</b>                   | <b>56</b> |
| <b>Instalación y configuración . . . . .</b>                                | <b>57</b> |
| Desembalaje del sistema . . . . .   | 57        |
| Instalación de los rieles y del sistema en<br>un estante . . . . .          | 57        |
| Conexión del teclado, el ratón y el monitor . . . . .                       | 58        |
| Conexión de la alimentación . . . . .                                       | 58        |
| Instalar el soporte de retención del cable<br>de alimentación . . . . .     | 59        |
| Encendido del sistema . . . . .   | 59        |
| Instalar el embellecedor . . . . .  | 60        |
| <b>Finalización de la configuración del sistema<br/>operativo . . . . .</b> | <b>60</b> |
| <b>Especificaciones técnicas . . . . .</b>                                  | <b>60</b> |



# Componentes del sistema

Los principales componentes de hardware y software del sistema son:

- Dos procesadores Intel<sup>®</sup> Xeon<sup>®</sup> serie 5400 y serie 5200 de dos o cuatro núcleos.
- Compatible con multiprocesamiento simétrico (SMP), disponible en sistemas con dos procesadores Intel Xeon. SMP mejora en gran medida el rendimiento general del sistema al dividir las operaciones del procesador en procesadores independientes. Para obtener mayor provecho de esta característica, debe utilizar un sistema operativo que sea compatible con el multiprocesamiento.



**NOTA:** si decide actualizar su sistema instalando un segundo procesador, debe pedir a Dell el kit de actualización. No todas las versiones del procesador Intel Xeon funcionarán correctamente como procesadores adicionales. El kit actualizado de Dell contiene la versión correcta del procesador, un disipador de calor y un ventilador, así como las instrucciones para realizar la actualización.

- Un mínimo de 4 GB de 667 MHz, DIMM con búfer completo (FBD), actualizable a un máximo de 16 GB instalando combinaciones de módulos de memoria de 1 GB o bien 2 GB en ocho zócalos de módulo de memoria en la placa base.
- El sistema también cuenta con memoria redundante, la cual proporciona reserva o duplicación de memoria. Cada característica está disponible si se instalan ocho módulos de memoria idénticos.
- Soporte para un máximo de cuatro discos duros internos de acoplamiento activo SATA de 3,5 pulgadas.
- Una línea delgada de SATA DVD o una combinación de unidades CD-RW/DVD.



**NOTA:** los dispositivos de DVD son sólo de datos.

- Un interruptor de intrusión del chasis que indica el software de administración de sistemas adecuado si se abre la cubierta superior.
- Supervisión de energía de la controladora de administración de la placa base (BMC), que supervisa la corriente, el voltaje y la utilización de energía del sistema.

- Hasta dos fuentes de alimentación de acoplamiento activo de 750 W en una configuración redundante opcional de 1 + 1.
- Cuatro ventiladores de acoplamiento activo para la refrigeración del sistema.

La placa base incluye los componentes siguientes:

- Una de las siguientes opciones de tarjeta vertical izquierda:
  - Una tarjeta vertical izquierda que tiene una ranura de expansión completa PCIe x8 y una ranura de expansión completa PCIe x4.
  - O bien:
  - Una tarjeta vertical izquierda que tiene dos ranuras completas PCI-X 3.3-V, 64 bit, 133 MHz en buses separados PCI-X (posibilidad de desacelerar para dar soporte a tarjetas conectoras PCI).
- Una tarjeta vertical central que tiene una ranura de expansión de media longitud PCIe x8.
- Ranura dedicada para un adaptador host de bus SAS integrado. El canal interno da soporte a un máximo de cuatro discos duros SATA de 3,5 pulgadas.



**NOTA:** no se puede iniciar el sistema desde un dispositivo externo conectado a un adaptador SAS o SCSI.

- Dos NIC Ethernet Gb integradas que admiten velocidades de datos de 10 Mbps, 100 Mbps y 1.000 Mbps.
- Una NIC Ethernet Gigabit Intel de cuatro puertos opcional que admite velocidades de datos de 10 Mbps, 100 Mbps y 1.000 Mbps e inicio remoto iSCSI.
- Compatibilidad con tarjetas Ethernet Gigabit 10.
- Un conector interno compatible con USB 2.0 que admite una unidad flash USB de inicio o una memoria USB.
- Cuatro conectores compatibles con USB 2.0 (dos en la parte frontal y dos en la trasera) capaces de dar soporte a una unidad de disquete, una unidad de CD-ROM, un teclado, un ratón o una unidad de memoria flash USB.
- Controladora de acceso remoto (RAC) opcional para la administración remota de sistemas.



- Un subsistema de vídeo integrado compatible con VGA con una controladora de vídeo PCI ATI ES1000 a 33 MHz. Este subsistema de vídeo contiene 16 MB de memoria de vídeo SDRAM (no ampliable). La resolución máxima es de 1.600 x 1.200 con 64.000 colores; admite gráficos de color verdadero en las resoluciones siguientes: 640 x 480, 800 x 600, 1.024 x 768, 1152 x 864 y 1.280 x 1.024. Cuando se instala una RAC opcional, la resolución de vídeo es 1.280 X 1.024.
- Circuitos de administración de sistemas que supervisan el funcionamiento de los ventiladores del sistema, así como los voltajes y temperaturas críticos del sistema. Los circuitos de administración de sistemas funcionan conjuntamente con el software de administración de sistemas.
- Controladora de administración de la placa base estándar con acceso serie.
- El panel posterior incluye un conector serie, un conector de vídeo, dos conectores USB y dos conectores de NIC.
- En el panel frontal se incluyen un conector de vídeo y dos conectores USB.
- LCD de panel frontal 1x5 para la ID y los mensajes de error del sistema.
- Botón de ID del sistema en los paneles frontal y posterior.

Para obtener más información sobre componentes específicos, consulte “Especificaciones técnicas” en la página 60.

## Sistemas operativos admitidos

- Microsoft® Windows® Server 2008 Standard x64 Edition.

## Otra información útil



**PRECAUCIÓN:** consulte la información sobre normativas y seguridad suministrada con el sistema. La información sobre la garantía puede estar incluida en este documento o constar en un documento aparte.

- En las *Instrucciones de instalación en estante* incluidas con la solución de estante se describe cómo instalar el sistema en un estante.
- En el *Manual del propietario del hardware* se proporciona información sobre las características del sistema y se describe cómo solucionar problemas del sistema e instalar o sustituir componentes. Este documento puede encontrarse en los CD incluidos con el sistema o en [support.dell.com](http://support.dell.com).

- Los CD que se facilitan con el sistema contienen documentación y herramientas para configurar y administrar el sistema.
- Es posible que se incluyan notas de la versión o archivos Léame para proporcionar actualizaciones de última hora relativas al sistema o a la documentación, o material avanzado de consulta técnica destinado a técnicos o usuarios experimentados.

## Obtención de asistencia técnica

Si no comprende algún procedimiento descrito en esta guía o si el sistema no funciona del modo esperado, consulte el *Manual del propietario del hardware*. Dell™ ofrece certificación y formación completa del hardware. Consulte [www.dell.com/training](http://www.dell.com/training) para obtener más información. Es posible que este servicio no se ofrezca en todas las regiones.

## Información de la NOM (sólo para México)

Se proporciona la siguiente información sobre el dispositivo descrito en este documento de acuerdo a los requisitos establecidos por la “Official Mexican standards (NOM)”:

|                                     |   |
|-------------------------------------|---|
| Importador:                         | Dell Inc. de México, S.A. de C.V.<br>Paseo de la Reforma 2620 -11º Piso<br>Col. Lomas Altas<br>11950 México, D.F. |
| Número de modelo:                   | EMS01   |
| Voltaje de entrada de alimentación: | 100–240 V CA<br>-(48–60) V CC   |
| Frecuencia:                         | 50/60 Hz  |
| Consumo actual:                     | 9,0–4,5 A;<br>20 A (CC)   |

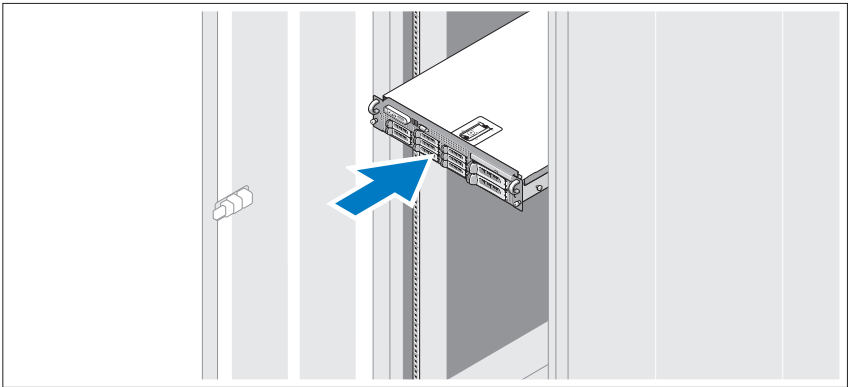
# Instalación y configuración

**⚠ PRECAUCIÓN:** Antes de llevar a cabo el siguiente procedimiento, revise las instrucciones de seguridad que acompañan al sistema.

## Desembalaje del sistema

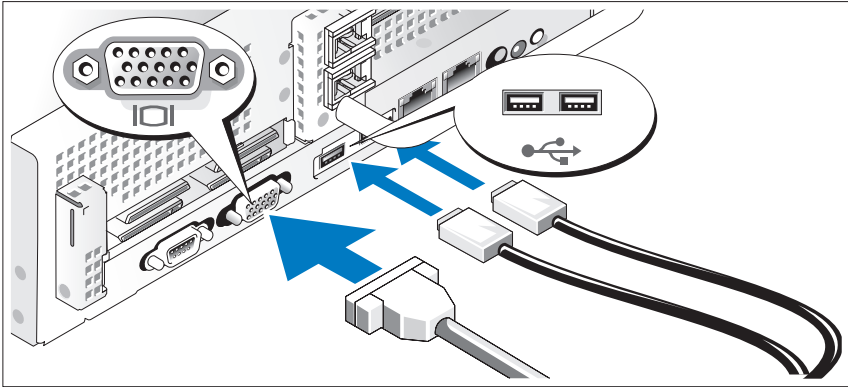
Desembale el sistema e identifique cada elemento.

## Instalación de los rieles y del sistema en un estante



Monte los rieles e instale el sistema en el estante siguiendo las instrucciones de seguridad y de instalación en estante que venían con el sistema.

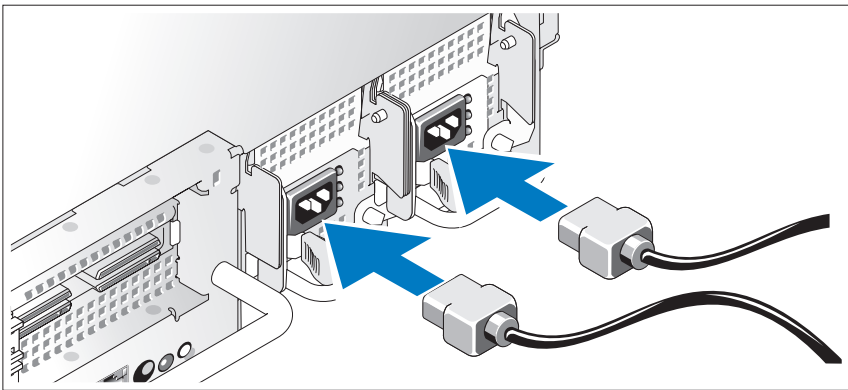
## Conexión del teclado, el ratón y el monitor



Conecte el teclado, el ratón y el monitor (opcional).

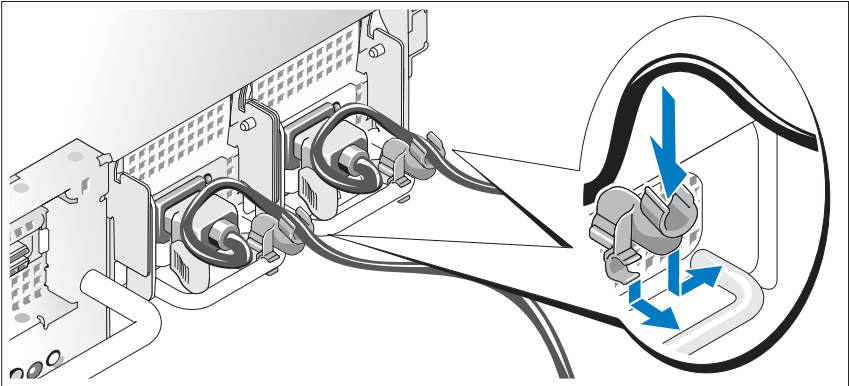
Los conectores de la parte posterior del sistema incluyen iconos que indican qué cable debe enchufarse en cada conector. Asegúrese de apretar los tornillos (si los hay) del conector del cable del monitor.

## Conexión de la alimentación



Conecte el cable de alimentación al sistema y, si utiliza un monitor, conecte su cable de alimentación correspondiente.

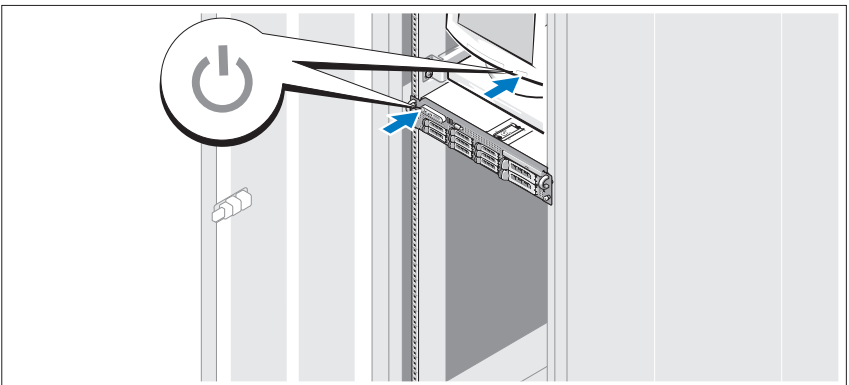
## Instalar el soporte de retención del cable de alimentación



Fije el soporte de retención del cable de alimentación en el codo derecho del asa de la fuente de alimentación. Doble el cable de alimentación del sistema en forma de bucle, tal como se muestra en la ilustración, y fíjelo a la abrazadera correspondiente del soporte.

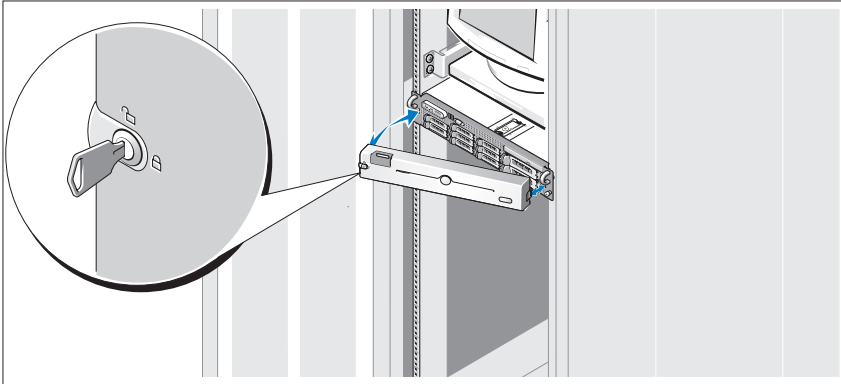
Conecte el otro extremo del cable de alimentación a una toma eléctrica con conexión a tierra o a otra fuente de energía, como por ejemplo un sistema de alimentación ininterrumpida (SAI) o una unidad de distribución de alimentación (PDU).

## Encendido del sistema



Presione el botón de encendido del sistema y del monitor. Los indicadores luminosos de alimentación deberían encenderse.

## Instalar el embellecedor



Instale el embellecedor (opcional).

## Finalización de la configuración del sistema operativo

Si ha adquirido un sistema operativo preinstalado, consulte la documentación del sistema operativo que se suministra con el sistema. Para instalar un sistema operativo por primera vez, consulte la documentación de instalación y configuración de su sistema operativo. Asegúrese de que el sistema operativo está instalado antes de instalar hardware o software no adquirido con el sistema.

## Especificaciones técnicas

---

### Procesador

---

Tipo de procesador

Uno o dos procesadores Intel Xeon 5000 de doble núcleo

---

**Bus de expansión**

---

|                             |  |
|-----------------------------|--|
| Tipo de bus                 | PCI-X, PCIe  |
| <b>Ranuras de expansión</b> |  |
| Soporte vertical central    |  |
| PCIe                        | Una ranura de expansión de media altura x8 a 3.3 V (ranura 1)  |
| Soporte vertical izquierdo  |  |
| Opción PCI-X:               | Dos ranuras de expansión completa de 3,3 V, de 64 bit y a 133 MHz (ranuras 2 y 3)  |
| Opción PCIe:                | O bien:<br>Una ranura de expansión completa x8 de 3,3 V (ranura 2) y una ranura de expansión completa x4 de 3,3 V (ranura 3) |

---

**Memoria**

---

|                                   |   |
|-----------------------------------|---|
| Arquitectura                      | Módulos DIMM (FBD) con búfer completo a 667 MHz |
| Zócalos de módulo de memoria      | Ocho de 240 patas                               |
| Capacidades del módulo de memoria | 1 GB o bien 2 GB                                |
| RAM mínima                        | 4 GB  |
| RAM máxima                        | 16 GB   |

---

**Unidades**

---

|                        |   |
|------------------------|---|
| Unidades de disco duro | Soporte para un máximo de cuatro discos duros internos de acoplamiento SATA de 3,5 pulgadas.                          |
| Unidad de disquete     | Una unidad USB externa opcional de 3,5 pulgadas y 1,44 MB   |
| Unidad óptica          | Una unidad SATA reducida de DVD o combinación de CD-RW/DVD<br><b>NOTA:</b> Los dispositivos de DVD son sólo de datos. |
| Unidad flash           | Unidad USB externa opcional   |

---

**Conectores**

---

**Parte posterior**

|       |   |
|-------|---|
| NIC   | Dos RJ-45 (para NIC integrados de 1 GB) |
| Serie | 9 patas, DTE, compatible con 16550      |
| USB   | Dos de 4 patas compatibles con USB 2.0  |
| Vídeo | VGA de 15 patas                         |

**Parte frontal**

|       |  |
|-------|--|
| Vídeo | VGA de 15 patas                        |
| USB   | Dos de 4 patas compatibles con USB 2.0 |

---

**Vídeo**

---

|                  |  |
|------------------|--|
| Tipo de vídeo    | Controladora de vídeo ATI ES1000; conectores VGA |
| Memoria de vídeo | 16 MB de SDRAM DDR                               |

---

**Alimentación**

---

**Fuente de alimentación de CA (por fuente de alimentación)**

|                              |  |
|------------------------------|--|
| Potencia                     | 750 W  |
| Voltaje                      | 85–264 VAC, autoajustable, 47–63 Hz  |
| Disipación de calor          | 2.697 BTU/h máximo   |
| Corriente de conexión máxima | En condiciones normales de línea y en todo el ambiente del rango operativo del sistema, la corriente de la conexión puede alcanzar los 55 A por cada fuente de alimentación durante 10 ms o menos. |

**Baterías**

|                         |   |
|-------------------------|---|
| Batería del sistema     | Batería de tipo botón litio-ion CR2032 de 3 V |
| Batería RAID (opcional) | 4,1 V de iones de litio                       |



---

## Características físicas

---

### Estante

|                             |                           |
|-----------------------------|---------------------------|
| Altura                      | 8,656 cm (3,40 pulgadas)  |
| Anchura                     | 44,7 cm (17,6 pulgadas)   |
| Profundidad                 | 75,68 cm (29,79 pulgadas) |
| Peso (configuración máxima) | 26,76 kg (59 libras)      |

---

## Especificaciones ambientales

---

**NOTA:** Para obtener información adicional sobre medidas medioambientales relativas a configuraciones del sistema específicas, visite [www.dell.com/environmental\\_datasheets](http://www.dell.com/environmental_datasheets).

### Temperatura

|                   |   |
|-------------------|---|
| En funcionamiento | De 10 °C a 35 °C (de 50° a 95 °F) con una gradación de temperatura máxima de 10 °C por hora |
| En almacenamiento | De -40 a 65 °C (de -40 a 149 °F) con una gradación de temperatura máxima de 20 °C por hora  |

### Humedad relativa

|                   |   |
|-------------------|---|
| En funcionamiento | Del 20 al 80% (sin condensación) con una gradación de humedad máxima del 10% por hora |
| En almacenamiento | Del 5 al 95% (sin condensación) con una gradación de humedad máxima del 10% por hora  |

### Vibración máxima

|                   |                                      |
|-------------------|--------------------------------------|
| En funcionamiento | 0,25 G a 3–200 Hz durante 15 minutos |
| En almacenamiento | 0,5 G a 3–200 Hz durante 15 minutos  |

---

**Especificaciones ambientales (continuación)**

---

**Impacto máximo**

|                   |  |
|-------------------|--|
| En funcionamiento | Un choque en el sentido positivo del eje z (un choque en cada lado del sistema) de 41 G durante un máximo de 2 ms  |
| En almacenamiento | Seis choques ejecutados consecutivamente en los ejes x, y y z positivo y negativo (un choque en cada lado del sistema) de 71 G durante un máximo de 2 ms |

**Altitud**

|                   |  |
|-------------------|--|
| En funcionamiento | De -16 a 3 048 m (de -50 a 10.000 pies)  |
| En almacenamiento | De -16 a 10 600 m (de -50 a 35.000 pies) |

**Nivel de contaminación atmosférica**

|       |  |
|-------|--|
| Clase | G2 o menos, de acuerdo con ISA-S71.04-1985 |
|-------|--|





Printed in the U.S.A.  
Imprimé aux U.S.A.  
Impresso nos EUA.  
Impreso en los EE.UU.

[www.dell.com](http://www.dell.com) | [support.dell.com](http://support.dell.com)



0P988XA00



Printed in Brazil.  
Imprimé au Brésil.  
Impresso no Brasil.  
Impreso en Brasil.

[www.dell.com](http://www.dell.com) | [support.dell.com](http://support.dell.com)



0P988XA00